



Rev. 05/2021

THERMOSTATIC RADIATOR VALVES WITH PRE-SETTING

For iron, copper, polyethylene and multilayer pipe.

THERMOSTATIC RADIATOR VALVES WITH PRE-SETTING

For iron, copper, polyethylene and multilayer pipe.



LICENSED USE OF TRADEMARK NR. 43



PRODUCTION RANGE

IRON PIPE				
Model	Size	Code	Plant connection	Radiator connection
ANGLE	3/8"	2640.03.90*	G 3/8" F	G 3/8" M
ANGLE	1/2"	2640.04.90*	G 1/2" F	G 1/2" M
ANGLE	3/4"	2640.05.90	G 3/4" F	G 3/4" M
ANGLE	1"	2640.06.90	G 1" F	G 1" M
STRAIGHT	3/8"	2641.03.90*	G 3/8" F	G 3/8" M
STRAIGHT	1/2"	2641.04.90*	G 1/2" F	G 1/2" M
STRAIGHT	3/4"	2641.05.90	G 3/4" F	G 3/4" M
STRAIGHT	1"	2641.06.90	G 1" F	G 1" M
REVERSIBLE ANGLE	3/8"	2720.03.90	G 3/8" F	G 3/8" M
REVERSIBLE ANGLE	1/2"	2720.04.90	G 1/2" F	G 1/2" M

MULTILAYER, POLYETHYLENE, COPPER PIPE

Model	Size	Code	Plant connection	Radiator connection
ANGLE	3/8"	2642.03.90*	Standard RBM	G 3/8" M
ANGLE	1/2"	2642.04.90*	Standard RBM	G 1/2" M
STRAIGHT	3/8"	2643.03.90*	Standard RBM	G 3/8" M
STRAIGHT	1/2"	2643.04.90*	Standard RBM	G 1/2" M

THERMOSTATIC HEADS



PRODUCTION RANGE

Model (Series)	Code	Sensor	Sensor cable length
TL8 (305)	305.00.00*	Liquid expansion	- (incorporated)
TL10 (590)	590.00.00*	Liquid expansion	- (incorporated)
TL20 (590.00.10)	590.00.10*	Gas expansion	2 metres
TL30 (720)	720.00.30*	Liquid expansion	- (incorporated)
TL70 (2633)	2633.00.00*	Liquid expansion	- (incorporated)
- (2634)	2634*	Liquid expansion	- (incorporated)
TL10W (3087)	3087.00.00*	Liquid expansion	- (incorporated)

THERMOSTATIC RADIATOR VALVES - DESCRIPTION

USE

The **RBM thermostatic valves** are used as shut-off and control for radiators, fan coils, radiant panels, etc. in heating systems.

PRODUCTION RANGE

The valves are manufactured in the straight and angle versions allowing connection to different types of piping, on plant side.

- To plant side, gas thread valves are suitable for connection with steel pipe.
- To plant side, RBM Standard thread valves are suitable for connection with copper pipe, polyethylene pipe and multilayer polyethylene pipe for which specific fittings are prepared.

OPERATION

The **RBM thermostatic valves** must be installed **respecting the flow direction**.

Thanks to a special internal device they allow the pre-setting of the

head loss quickly and effectively.

The use in combination with thermostatic heads makes it possible to keep the ambient temperature constant, thus guaranteeing an effective energy saving.

Micrometric setting. KVS values can be set through the pole on the top of the cap unit. 6 Kvs values for pre-setting for thermostatic valve size 3/8" - 1/2" - 3/4" and 7 values for thermostatic valve size 1".

To avoid jeopardising the RBM thermostatic valves' (thermostatic valves + thermostatic head) operation, they can only be assembled on the system in horizontal position and not in other positions.

The hydraulic features and head losses of the RBM valves are found on the technical sheet's diagrams, under the "Fluid dynamics features" section.

THERMOSTATIC RADIATOR VALVES - CONSTRUCTION FEATURES

Body:	brass
Adjustment cap:	brass
Seals:	EPDM PEROX and NBR
Handwheel:	Shockproof ABS
Surface finish:	nickel-plated and satin

THERMOSTATIC RADIATOR VALVES - TECHNICAL FEATURES

Working T_{max}:	110 °C
Working P_{max}:	10 bar (1000 kPa)
Fluid:	water and water + glycol at 50%

THERMOSTATIC HEAD - DESCRIPTION

The **RBM thermostatic head** is a control device for thermostatic valves.

The thermostatic head mainly consists of a case underneath the handwheel, containing the thermostatic liquid, sensitive to room temperature variations.

The thermostatic liquid tends to vary its volume upon room temperature increase or decrease, causing the valve's shutter connected to

it, to move, in this way adjusting the liquid flow towards the heating body.

Said movements maintain the temperature set from the thermostatic head handwheel throughout time.

The thermostatic head components are made of plastic, therefore the heat dispersed by the heating body does not affect the thermostatic head's mechanism.

THERMOSTATIC HEAD - CONSTRUCTION FEATURES

Body:	polycarbonate
Bulb liquid:	thermostatic ethyl-acetate
TL8 Type:	with liquid expansion, incorporated sensor
TL10 Type:	with liquid expansion, incorporated sensor
TL20 Type:	with gas expansion, remote sensor - sensor cable length: 2m
TL30 Type:	with liquid expansion, incorporated sensor
TL70 Type:	with liquid expansion, incorporated sensor
2634 Type:	with liquid expansion, incorporated sensor
TL10W Type:	with liquid expansion, incorporated sensor



CERTIFICATIONS OF CONFORMITY

The **RBM thermostatic valves** and the **thermostatic heads** comply with the Italian Ministerial Decree 17 February 2007 bearing:

Dispositions on deductions for existing building heritage energy re-qualification, pursuant to art. 1, comma 349, of Law 27 December 2006 no. 296 art. 9 -1/b, as certified in accordance with **European Standard UNI EN 215 "Thermostatic valves for radiators. Requirements and test methods"**.

The Standard conformity certifications are guaranteed by the certificates **granting use of trademark no. 43, issued by the certifying body**.

THERMOSTATIC RADIATOR VALVE UNI - EN 215 APPROVED

Technical features RBM thermostatic head and thermostatic valve		Stated values																					
Minimum adjustment calibration (anti-freeze position)	t_s min	7 °C (*)																					
Maximum adjustment calibration (position)	t_s max	30 °C (5)																					
Saving condition (position)		20 °C (3)																					
Maximum working pressure	PN	10 bar (1000 kPa)																					
Maximum differential pressure	ΔP	1 bar (100 kPa)																					
Nominal capacity " q_m S " (DP = 10 KPa) angle - straight	q_m S	See fluid dynamic features																					
Maximum working temperature		110 °C																					
Control accuracy according to EN 215 (TL20 e TL10W)	CA	0.2 K																					
Control accuracy according to EN 215 (TL8, TL10, TL30, 2634, TL70)	CA	0.6 K																					
Maximum storage temperature		50 °C																					
Hysteresis	C	0.3 K (TL8 - TL10 - TL30 - TL70 - 2634 - TL10W) 0.4 K (TL20)																					
		<table border="1"> <thead> <tr> <th>Pos.</th> <th>Angle</th> <th>Straight</th> </tr> </thead> <tbody> <tr> <td>1</td> <td>0,3</td> <td>0,2</td> </tr> <tr> <td>2</td> <td>0,4</td> <td>0,4</td> </tr> <tr> <td>3</td> <td>0,6</td> <td>0,5</td> </tr> <tr> <td>4</td> <td>0,7</td> <td>0,6</td> </tr> <tr> <td>5</td> <td>0,7</td> <td>0,6</td> </tr> <tr> <td>6</td> <td>0,9</td> <td>0,8</td> </tr> </tbody> </table>	Pos.	Angle	Straight	1	0,3	0,2	2	0,4	0,4	3	0,6	0,5	4	0,7	0,6	5	0,7	0,6	6	0,9	0,8
Pos.	Angle	Straight																					
1	0,3	0,2																					
2	0,4	0,4																					
3	0,6	0,5																					
4	0,7	0,6																					
5	0,7	0,6																					
6	0,9	0,8																					
Authority	a																						
Response time	Z																						
Differential pressure influence	D	0.2 K (TL8 - TL10 - TL30 - TL70 - 2634 - TL10W - 3614) 0.3 K (TL20)																					
Water temperature influence	W	1,00 K (TL8 - TL10 - TL30 - TL70 - 2634) 0,20 K (TL20) 0,10 K (TL10W)																					
The thermostatic valve is fitted with manual adjustment handwheel (rotation)		60° = 1K																					
Thermostatic valve conform with Standard EN 215																							
RBM thermostatic head conform with Standard EN 215																							

The certification of the valves, carried out by **Siet** according to the UNI EN 215 standard, is intended as the combination of valve and RBM thermostatic head. Energy efficient RBM thermostatic head: **Class I** (TELL) approved.



TELL
Thermostatic Efficiency Label

Manufacturer: R.B.M. S.p.A.
 Product: 2634
 Reg.-No.: 10590-20160422

Energy

I

II

III

IV

V

VI

I

www.tell-online.eu
 A label of EUnited Valves
 European Valve Manufacturers Association

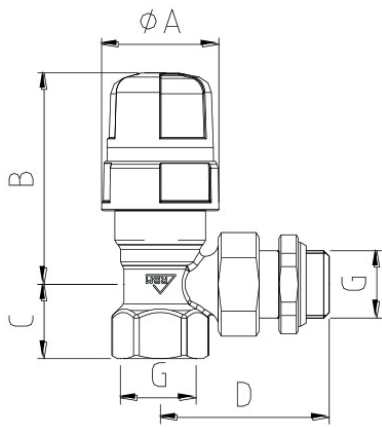
DIMENSIONAL FEATURES

STRAIGHT VALVE for iron pipe						STRAIGHT VALVE for multilayer, polyethylene, copper pipe						
Code	G Meas.	A [ø]	B [mm]	C [mm]	D [mm]	Code	ø1	ø2 *	A [ø]	B [mm]	C [mm]	D [mm]
2641.03.90	3/8"	35.5	70	22.5	48.5	2643.03.90	3/8"	RBM	35.5	70	23.5	48.5
2641.04.90	1/2"	35.5	70	24.5	50	2643.04.90	1/2"	RBM	35.5	70	23.5	50
2641.05.90	3/4"	35.5	70	31.5	58.5							
2641.06.90	1"	35.5	59	34	66							

* RBM Standard Thread W24.5x19F

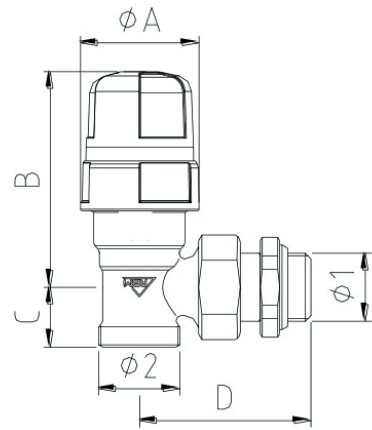


**ANGLE VALVE
for iron pipe**



Code	G Meas.	A [ø]	B [mm]	C [mm]	D [mm]
2640.03.90	3/8"	35.5	66	19.5	50
2640.04.90	1/2"	35.5	66	22.5	51.5
2640.05.90	3/4"	35.5	66	28	62.5
2640.06.90	1"	35.5	58	34.5	67.5

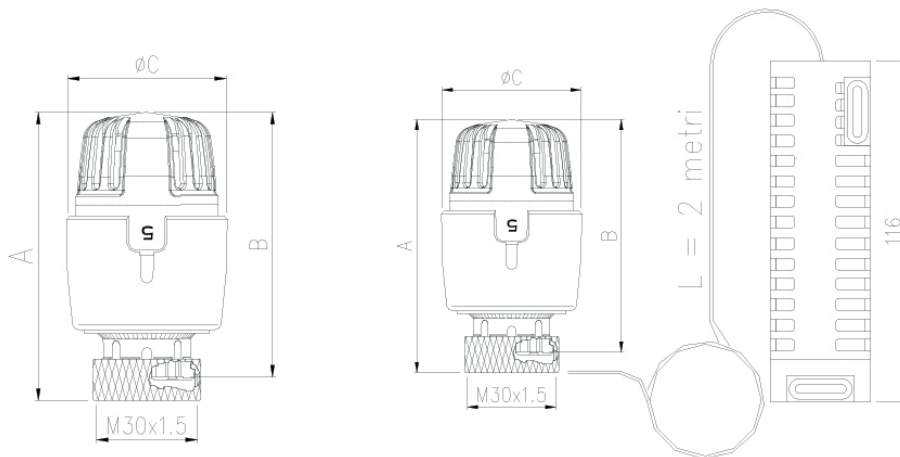
**ANGLE VALVE
for multilayer, polyethylene, copper pipe**



Code	Ø1	Ø2 *	A [ø]	B [mm]	C [mm]	D [mm]
2642.03.90	3/8"	RBM	35.5	66	18	50
2642.04.90	1/2"	RBM	35.5	66	18	51.5

* RBM Standard Thread W24.5x19F

THERMOSTATIC HEAD



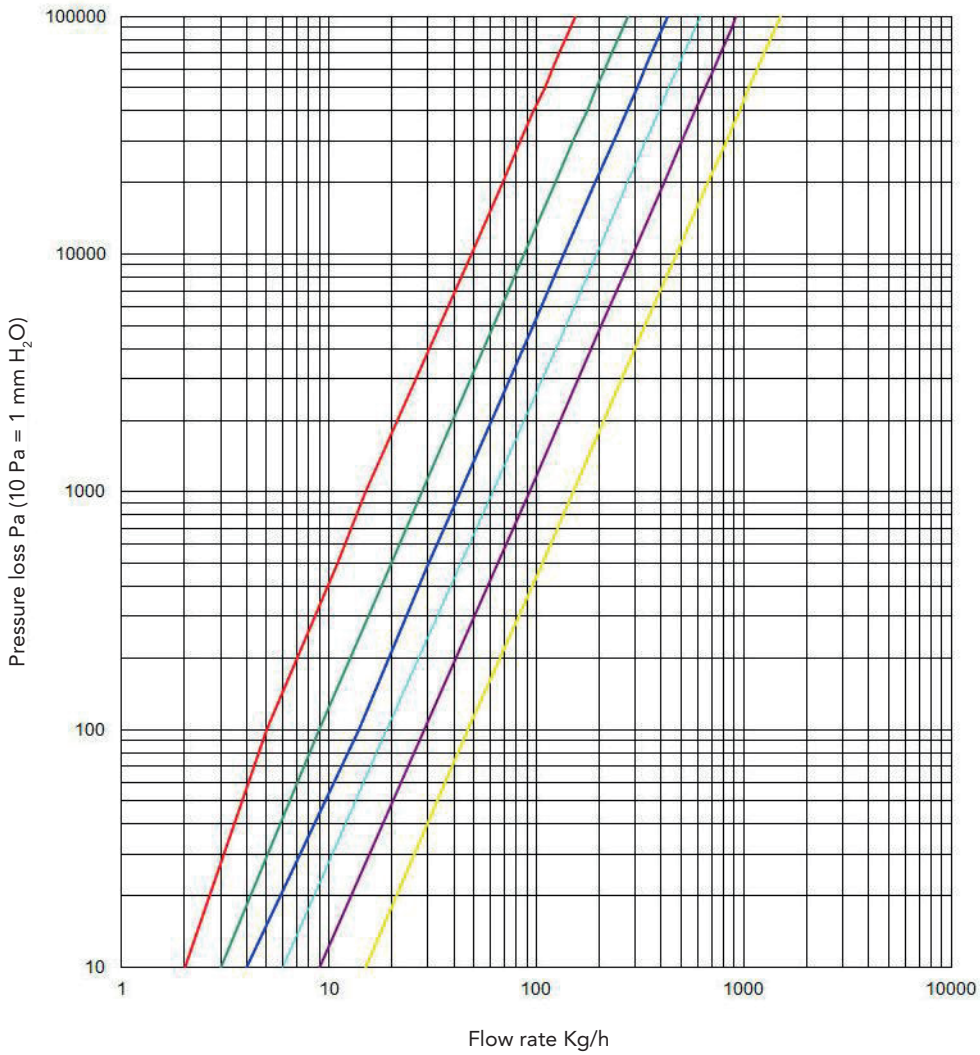
Code	Anti-freeze position (*)			Open position (5)		
	A [mm]	B [mm]	C [mm]	A [mm]	B [mm]	C [mm]
305.00.00	81	74	47	86	79	47
590.00.00	81	74	47	86	79	47
720.00.30	82.5	75.5	47	87.5	80.5	47
2633.00.00	81	74	47	86	79	47
2634.00.00	83	76	47	88	81	47
3087.00.00	93	87	47	98	92	47
590.00.10	81	74	47	86	79	47

All measurements, where not indicated, must be considered in mm.

VALVE FLUID HYDRAULIC CHARACTERISTIC

DIAGRAM NR. 1: ANGLE VALVE WITH HANDWHEEL (WITHOUT THERMOSTATIC HEAD)

3/8" - 1/2" - 3/4" ANGLE VALVE

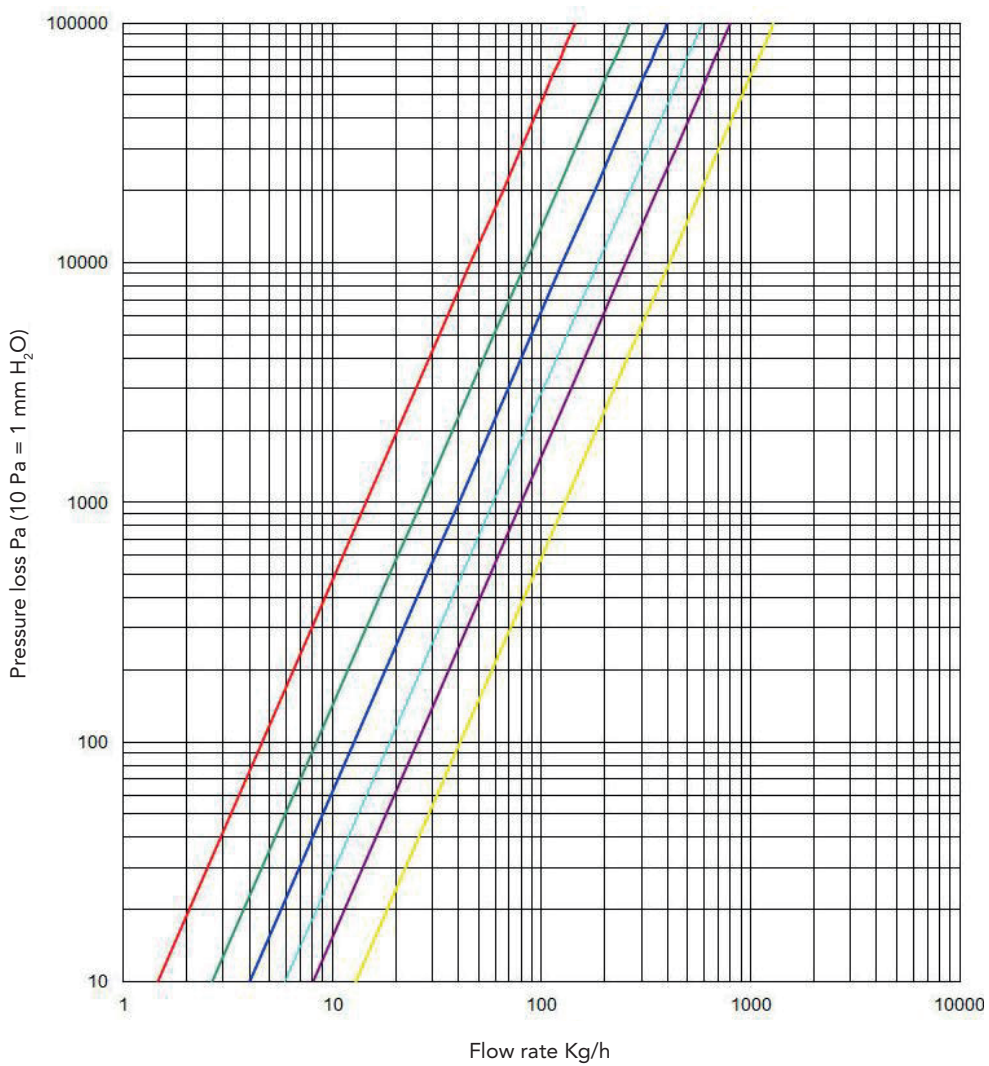


- Pos. 1
- Pos. 2
- Pos. 3
- Pos. 4
- Pos. 5
- Pos. 6

Pos.	Kvs [Kg/h]
1	154
2	276
3	430
4	615
5	920
6	1500

DIAGRAM NR. 2: STRAIGHT VALVE WITH HANDWHEEL (WITHOUT THERMOSTATIC HEAD)

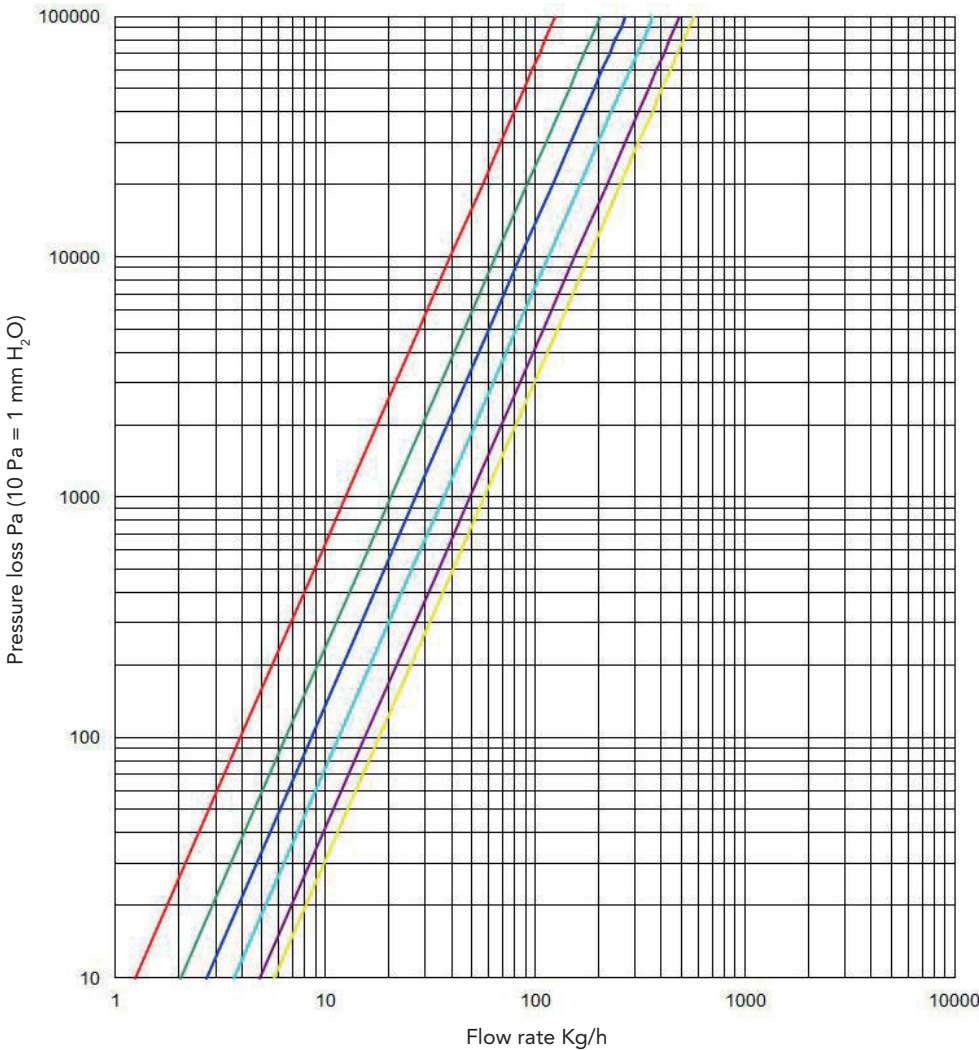
3/8" - 1/2" - 3/4" STRAIGHT VALVE



Pos.	Kvs [Kg/h]
1	145
2	265
3	400
4	590
5	800
6	1290

- Pos. 1
- Pos. 2
- Pos. 3
- Pos. 4
- Pos. 5
- Pos. 6

3/8" - 1/2" - 3/4" STRAIGHT AND ANGLE VALVE



Pos.	Kvs [Kg/h]
1	125
2	205
3	270
4	365
5	490
6	540

Values with **Proportional band -2K**

Pos.	q _m S [Kg/h]
1	40 ± 40%
2	65 ± 30%
3	85 ± 25%
4	115 ± 15%
5	155 ± 10%
6	170 ± 10%

INSTRUCTIONS FOR PRESETTING

1. The flow rates (Qi) and relative head losses (ΔPi) (Design data) must be known for each individual circuit (supply + radiator).
2. Establish which of the circuits is the most penalised, i.e. with the greatest head loss (ΔPmax).
3. Calculate the head loss of the RBM pre-regulator valve (installed on this radiator) in its maximum open position, at the design flow rate of this radiator (ΔPRBM ref).
4. Sum the head loss value of this valve with the value of the most penalised circuit to obtain the total head loss on the circuit (ΔPmax+ΔPRBM ref = ΔPtot). The resulting ΔPtot value must be used to pre-regulate all remaining valves (balancing).
5. Then, calculate the head loss of the next valve (ΔPtot - ΔPi = ΔPRBM i).
6. Identify the pre-regulation position (Pos.) on the "flow rate/head loss" graph which, at the design flow rate of the individual radiator, provides the additional identified head loss (ΔPRBM i).
7. This will be the position that the regulator hexagon of each valve will need to be set at (moving it to the marked notch).
8. Repeat points 3 to 7 on the remaining valves.

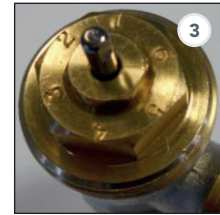
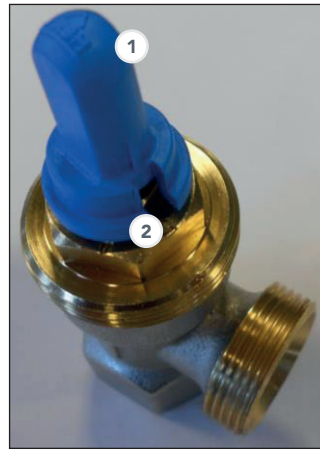
The adjustment of the KVS is possible by simply acting on the external end of the control rod of the thermostatic screw unit, by means of the accessory adjustment wrench (code **2878.00.00**).

Turn clockwise the control and manoeuvre wrench to trace the number printed on the top of the obturator valve unit and set it to the desired value.

The position set is visible through the window on the adjusting wrench.

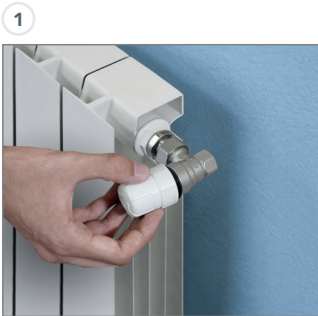
Refer to the tables above to align the Kvs values to the various adjustment positions.

Refer to the specifications contained in this box only to adjust the thermostatic valves measure 3/8 " - 1/2 " - 3/4 ".



- 1 Adjusting wrench
- 2 Adjusting "Window"
- 3 Printed cap unit with adjustment numbering

THERMOSTATIC HEAD ASSEMBLY ON THERMOSTATIC VALVE

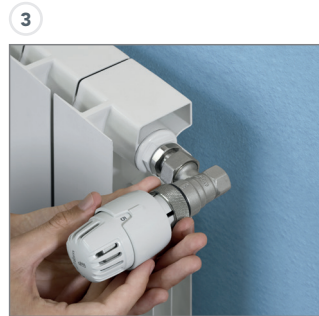


1. Remove the manual adjustment handwheel by loosening it anti-clockwise.

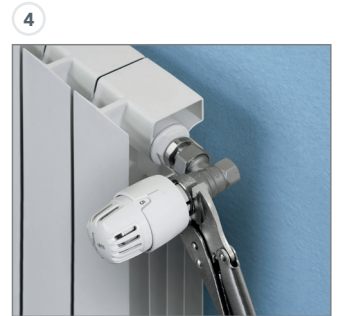


2. Position the polymer spacer onto the valve's body by centring the cap's hexagon (**this operation is necessary only for the 3087 series** thermostatic head - the spacer is supplied as a kit with the thermostatic head).

Bring the thermostatic head's numbered knob to **position "5"**, reached by turning it anti-clockwise.



3. Position the thermostatic head onto the valve's body by centring the cap's hexagon and leaving the adjustment reference window upwards (in visible position).



4. Tighten the thermostatic head's knurled metal ring nut onto the valve's body until blocked. Turn the numbered knob a few times after head assembly, from **position "5"** to **position "**"**, for the parts to settle.

THERMOSTATIC HEAD WITH REMOTE SENSOR

Where the heating body is located where the heat stores, e.g. behind curtains, inside cabinets, underneath shelves or where solar radiations directly cover the valve, use the **thermostatic head with sensor at a distance (mod. TL 20 code 590.00.10)**.

This allows placing the sensitive element in the most suitable place to correctly detect room temperature.



TEMPERATURE ADJUSTMENT

Adjust by turning the numbered knob so the symbol corresponding to the wanted temperature is positioned in the window of reference. (Approximate values)

Symbol	*	1	2	3	4	5
Value °C	7	10	15	20	25	30

(*) Indicates the anti-freeze position where the valve only opens when the room temperature drops below 7°C.

It is recommended during long winter absence or when wanting to ventilate the room.

WARNING

It is a good rule to **remove the RBM thermostatic head from the valve during the summer, when the heating system is inactive**, to protect the RBM thermostatic head's good operation.

STORAGE

Product storage: -25 °C ÷ + 50 °C in original packaging.

TEMPERATURE LIMIT

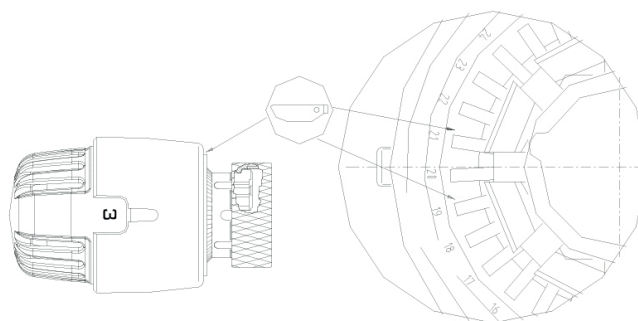
We recommend blocking the knob at the temperature or limit its field of intervention, once temperature is adjusted.

Example of handwheel blocking on position: **"3" (20 °C)**.

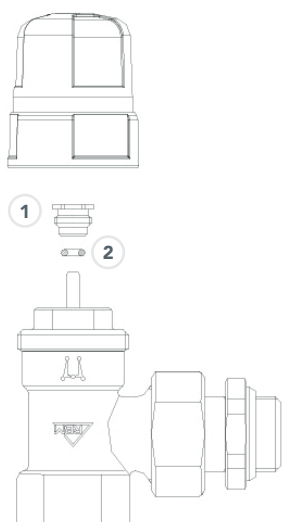
- Highlight no. 3 in the symbols' display window;
- The knob is set-up with numbers referring to the temperature adjusted by the thermostatic head;
- Search for no. 20 (corresponding to 20 °C);
- Introduce the relative inserts in the compartments near no. 20;
- The knob will remain blocked on the position of symbol **"3"**.

Move the inserts to wanted positions, if wanting to limit adjustment to a higher value.

Use the specific inserts **code 209.00.00** available as accessory, to block or limit movement.



MAINTENANCE INTERVENTIONS



Maintenance interventions can be carried out on all RBM thermostatic valves.

In fact, the valve's OR can be replaced with system running.

Follow the indications below:

- Loosen the valve's handwheel anti-clockwise. Remove the handwheel, uncover the packing gland housing an OR gasket to replace.
- Using specific CH 10 wrench, loosen the packing gland and replace the OR with RBM OR (**code. 5001.045**).
- Appropriately dispose of the replaced OR.
- Using the specific wrench, tighten the packing gland up to the stop and then the valve's handwheel.

1 Stem nut

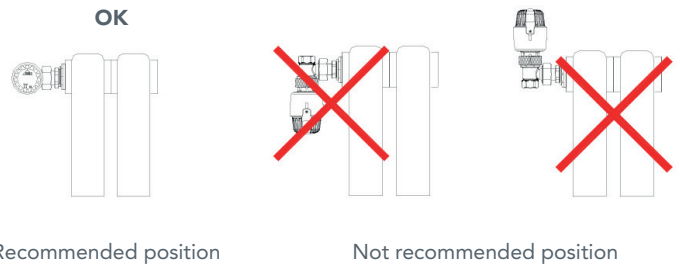
2 OR Seal

INSTALLATION WARNINGS

It is recommended to assemble the thermostatic head in **horizontal position**.

The thermostatic valves' sensitive element must not be installed in niches, boxes, behind curtains, or directly exposed to sunlight.

The temperature detected by the sensitive element could be altered in case the installation is not following the above recommendations.



VANDAL PROOF COLLAR

The **RBM thermostatic head** can be fitted with **vandal proof collar** (code **316.00.10 - fig.1**), that mounted, prevents its removal. Only by using the supplied specific **wrench** (code **2151.005 - fig.2**), is it possible to remove it.

(Kit 1+2 code **316.00.00**).



VANDAL PROOF AND ANTI-TAMPERING KNOB FOR THERMOSTATIC HEAD

The RBM thermostatic head can also be fitted with a **vandal proof and antitampering knob** (code **2274.005 - fig.1**) that mounted, prevents its tampering.

The knob is also fitted with specific **tool** (code **2273.005 - fig.2**) for its assembly, to be purchased separately.



SERVOMOTOR FOR THERMOSTATIC VALVE

A servomotor for electrothermally controlled valves (code **306.00.x2**), can be used if wanting to control the **thermostatic valve's** opening and closing.

The servomotor is applied on the valve by means of the present threaded ring nut.

There are two types of electrothermally controlled servomotors: 2 wires (code **306.00.02** power supply 230V AC, **306.00.12** power supply 24V AC) and 4 wires (code **306.00.42** power supply 230V AC, **306.00.52** power supply 24V AC) with auxiliary microswitch.

The servomotor brings the normally closed valve to pressure, when without voltage.

The servomotor can be connected to a room temperature control device like a timed thermostat or room thermostat, adjusting its opening and closing. Refer to the wiring diagrams of the chosen control and command devices' technical sheets, for the electric connection between servomotor and valve.



COMBINED FITTINGS

POLYETHYLENE PIPING

Type of fitting	Number of Threaded connections	Type of threaded connection	Piping	Code
FITTING A TIGHTEN	1	Standard RBM Nut	POLYETHYLENE	71.12...20.X0 122.12...20.00

MULTILAYER POLYETHYLENE PIPING

Type of fitting	Number of Threaded connections	Type of threaded connection	Piping	Code
FITTING A TIGHTEN	1	Standard RBM Nut	MULTILAYER POLYETHYLENE	70.10...20.X0 1216.14...16.00

Type of fitting	Number of Threaded connections	Press connections	Piping	Code
FITTING A PRESS	1 Standard RBM	1	MULTILAYER POLYETHYLENE	826.14...20.X0

COPPER PIPING

Type of fitting	Number of Threaded connections	Type of threaded connection	Piping	Code
FITTING A TIGHTEN	1	Standard RBM Nut	COPPER	602.10...16.00 41.10...16.20 41.18.20* (Ø18 pipe only)

* Provide a reduction, code 57.18.00, for fitting connection for copper pipe Ø18

ACCESSORIES

Product	Code	Description
	2274.005	Vandal proof and antitampering knob (Package includes one tool code 2273.005)
	2273.005	Specific tool for assembling the vandal proof knob (Tool provided with number 12 fixing screws)
	316.00.10	Vandal proof collar
	2151.005	Specific tool for assembling the vandal proof collar
	209.00.00	Insert pair for thermostatic head RBM temperature limit
	2878.00.00	Cap adjusting wrench (only valve measure 3/8" - 1/2" - 3/4")
	306.00.02	2 wire NC servomotor Voltage: 230 Vac
	306.00.12	2 wire NC servomotor Voltage: 24 Vac
	306.00.42	4 wire NC servomotor Voltage: 230 Vac
	306.00.52	4 wire NC servomotor Voltage: 24 Vac
	2501.00.22	Programmable thermostatic command with weekly program, for valves with thermostatic option
	2962.00.02	Programming device
	2835.00.02	Thermostatic control for thermostatic valves. Remote control makes programming procedures easier during installation

TO KNOW MORE

Analytical procedure for determining the pressure drop for liquids with $\rho \approx 1 \text{ kg/dm}^3$

$$\Delta P = \left(\frac{Q}{Kvs} \right)^2 \times 10.000 \quad \text{valid for water with temp. from 0 to 30 } ^\circ\text{C}$$

ΔP correction for fluids with ρ different from 1 kg/dm^3

$$\Delta P' = \Delta P \times \rho'$$

Analytical procedure for valve dimensioning valid for liquids with $\rho \approx 1 \text{ kg/dm}^3$

$$Kvs = Q * \left(\frac{10000}{\Delta P} \right)^{0,5} \quad \text{valid for water with temp. from 0 to 30 } ^\circ\text{C}$$

Kvs correction for fluids with ρ different from 1 kg/dm^3

$$Kvs' = Kvs * \sqrt{\rho'}$$

KEY

- ΔP head loss in daPa (1daPa=10Pa)
- $\Delta P'$ correct head loss in daPa (1daPa=10Pa)
- ΔP_{max} pressure difference recommended for correct operation
- Q flow rate in m^3/h
- Kvs hydraulic feature in m^3/h ($1\text{m}^3/\text{h}=1.000 \text{ l/h}$)
- ρ' liquid density in kg/dm^3

SUMMARY CUSTOMIZATION COMBINATIONS TABLE VALVE / THERMOSTATIC HEAD

Code certified thermostatic head	Code certified valve	Code internal kit	Code sales kit	Reference certificate
590 (TL10)	31.04	1115	1115	01-RBM-TRV
590 (TL10)	32.04	3624.04.00	3624.04.00	01-RBM-TRV
590 (TL10)	48.04	1116	1116	01-RBM-TRV
590 (TL10)	31.04	3621.04.00	3621.04.00	01-RBM-TRV
720 (TL 30)	31.03	2078.03	2078.03	01-RBM-TRV
720 (TL 30)	31.04	2078.03	2078.03	01-RBM-TRV
720 (TL 30)	32.03	2079.03	2079.03	01-RBM-TRV
720 (TL 30)	32.04	2079.04	2079.04	01-RBM-TRV
720 (TL 30)	48.03	1342.03	1342.03	01-RBM-TRV
720 (TL 30)	48.04	1342.04	1342.04	01-RBM-TRV
720 (TL 30)	49.03	1343.03	1343.03	01-RBM-TRV
720 (TL 30)	49.04	1343.04	1343.04	01-RBM-TRV
2633 (TL70)	31.03	3570.03.00	3570.03.00	01-RBM-TRV
2633 (TL70)	31.04	3570.04.00	3570.04.00	01-RBM-TRV
2633 (TL70)	32.03	3571.03.00	3571.03.00	01-RBM-TRV
2633 (TL70)	32.04	3571.04.00	3571.04.00	01-RBM-TRV
2633 (TL70)	48.03	2756.03.00	2756.03.00	01-RBM-TRV
2633 (TL70)	48.04	2756.04.00	2756.04.00	04-RBM-TRV
2633 (TL70)	31.04	3835.04.00	3835.04.00	01-RBM-TRV
2634	48.04	2811.04.00	2811.04.00	01-RBM-TRV
2634	31.04	2812.04.00	2812.04.00	01-RBM-TRV
3087 (TL10W)	31.04	1128	1128	07-RBM-TRV

SPECIFICATION ITEMS

SERIES 2640

Thermostatically-controlled radiator valve with angle pre-adjustment for iron pipe, compliant with Standard UNI-EN 215 (only diameters 3/8" and 1/2"). No.6 settable Kv values (No.7 values for thermostatic valve measure 1"). Nickel-plated brass body. Brass obturator with double seal. Seals in EPDM PEROX and NBR. Shockproof ABS handwheel. Threaded square connection F UNI-EN-ISO 228 for iron pipe. Connection to the threaded terminal M UNI-EN-ISO. Max temperature 110 °C. Max operating pressure 10 bar. Available sizes 3/8" ÷ 1".

SERIES 2641

Thermostatically-controlled radiator valve with straight pre-adjustment for iron pipe, compliant with Standard UNI-EN 215 (only diameters 3/8" and 1/2"). No.6 settable Kv values (No.7 values for thermostatic valve measure 1"). Nickel-plated brass body. Brass obturator with double seal. Seals in EPDM PEROX and NBR. Shockproof ABS handwheel. Straight threaded connection F UNI-EN-ISO 228 for iron pipe. Connection to the threaded terminal M UNI-EN-ISO. Max temperature 110 °C. Max operating pressure 10 bar. Available sizes 3/8" ÷ 1".

SERIES 2642

Thermostatically-controlled radiator valve with angle pre-adjustment for copper, polyethylene and multilayer pipe, complying with standard UNI-EN 215. No.6 settable Kv values. Nickel-plated brass body. Brass obturator with double seal. Seals in EPDM PEROX and NBR. Shockproof ABS handwheel. RBM Standard threaded square connection for copper, polyethylene and multilayer pipe. Connection to the threaded terminal M UNI-EN-ISO 228. Max temperature 110 °C. Max operating pressure 10 bar. Available sizes 3/8" and 1/2".

SERIES 2643

Thermostatically-controlled radiator valve with straight pre-adjustment for copper, polyethylene and multilayer pipe, complying with standard UNI-EN 215. No.6 settable Kv values. Nickel-plated brass body. Brass obturator with double seal. Seals in EPDM PEROX and NBR. Shockproof ABS handwheel. RBM Standard threaded straight connection for copper, polyethylene and multilayer pipe. Connection to the threaded terminal M UNI-EN-ISO 228. Max temperature 110 °C. Max operating pressure 10 bar. Available sizes 3/8" and 1/2".

SERIES 2720

Thermostatically-controlled radiator valve with angle pre-adjustment for iron pipe with reversible connections and orthogonal command. No.6 settable Kv values. Nickel-plated brass body. Brass obturator with double seal. Seals in EPDM PEROX and NBR. Shockproof ABS handwheel. Threaded square connection F UNI-EN-ISO 228 for iron pipe. Connection to the threaded terminal M UNI-EN-ISO 228. Max temperature 110 °C. Max operating pressure 10 bar. Available sizes 3/8" and 1/2".

SERIES 305 - 590 - 720 - 2633 - 2634 - 3087

Thermostatic command for thermostatically-controlled radiator valve. Internal sensitive element with liquid expansion. Prearranged for temperature limitation and anti-tampering blockage. Room temperature max 50 °C. Anti-freeze triggering (*) 7 °C. Setting field (1÷5) 10... 30 °C. Hysteresis 0.3 °C. Max differential pressure (head mounted on valve) 1 bar. Thermostatic ethyl-acetate bulb liquid.

RBM spa reserves the right to improve and change the described products and related technical data at any moment and without prior notice: always refer to the instructions attached with the supplied components; this sheet is an aid, should the instructions be extremely schematic. Our technical office is always at your disposal for any doubt, problem or explanation.

RBM Spa

Via S. Giuseppe, 1 • 25075 Nave (Brescia) Italy
Tel 030 2537211 • Fax 030 2531798 • info@rbm.eu • www.rbm.eu

 @rbmspa  RBM S.p.A.  rbm_spa_  Rbm Italia