



Rev. 06/2024

AMBIENT GAS MEMBRANE THERMOST

USER MANUAL

AMBIENT GAS MEMBRANE THERMOSTAT



PRODUCTION RANGE

Code	Description
386.00.22	Mechanical thermostat with Summer/Winter selector switch

READ ALL THE INSTRUCTION CAREFULLY

This thermostat is designed for automatic regulation of heating and conditioning systems in houses, hotels, schools, offices, workshops and many other environments, both domestic and industrial. It is also ideal for heating and air conditioning numerous industrial and civil applications.

SAFETY WARNINGS

During installation and operation of the device, it is necessary to comply with the following instructions:

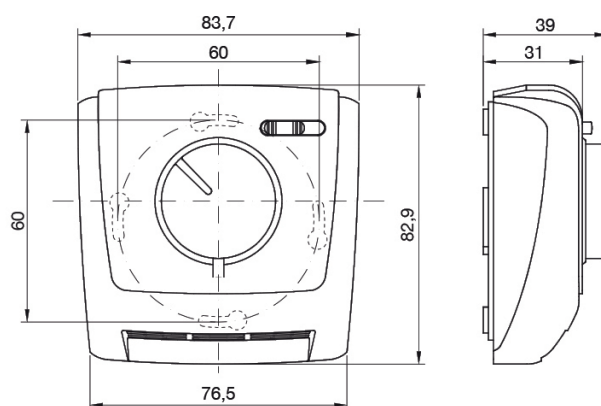
1. The device must be installed by a skilled person, in strict compliance with the connection diagrams
2. Do not power on or connect the device if any part of it is damaged
3. After installation, inaccessibility to the connection terminals without appropriate tools must be granted
4. The device must be installed and activated in compliance with current electric systems standards
5. Before accessing the connection terminals, verify that the leads are not live.



This symbol on the product and/or accompanying documents means that used electrical and electronic products should not be mixed with general household waste.

For proper treatment, recovery and recycling, please take this product to designated collection.

DIMENSIONS

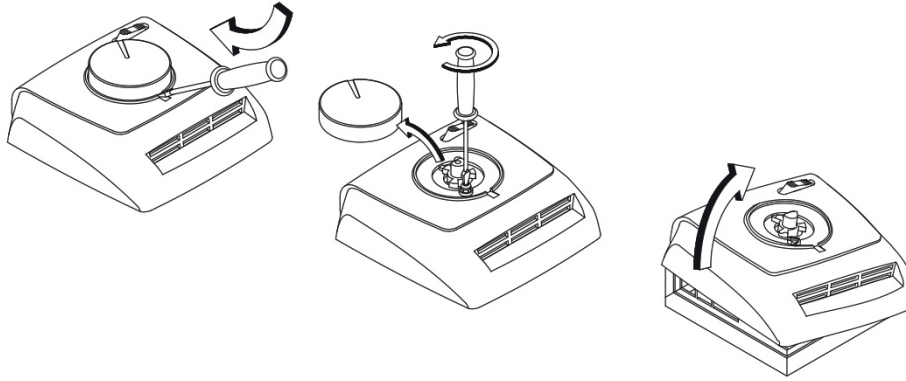


TECHNICAL SPECIFICATIONS

Free mounted single-pole mechanical thermostat

Setting range	+5 / +30 °C
Differential	$\Delta t \leq 1$ °C
Capacity of the contacts	10(1,5)A 250V~
Thermal gradient	1 °C /15 min.
Sensitive element	vapour expansion lung
Class I equipment	
Protection degree	IP 20
Type of action	1B
Silver contacts 1000/1000	
Break or switching contacts	
Pollution degree	2 (normal)
Voltage pulse	4kV
Operating temperature	0 ÷ 40 °C
Operating humidity	20 ÷ 90 %RH noncondensing

INSTALLATION

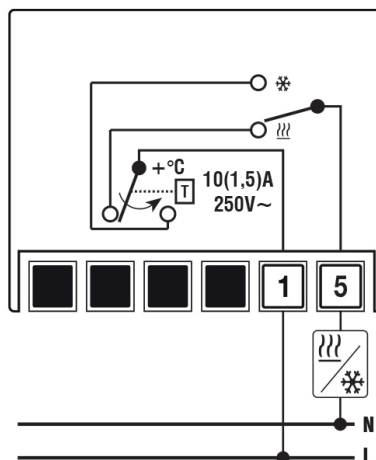


You are advised to position the thermostat as far as possible in a place that reflects the average temperature of the whole area. Avoid positioning it near doors, windows, sources of heat and in places where there is too much or too little ventilation.

The thermostat should be fitted at approximately 1.5 m from the ground.

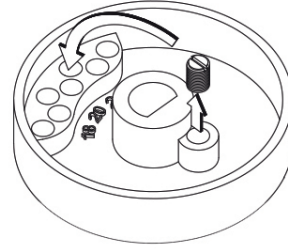
1. The thermostat can be fitted to the flush-mounting box of the electric system (centre distance 60 mm) or directly to the wall (centre distance 60 mm);
2. Remove the knob, unscrew the screw of the cover and remove it as shown in the drawing;
3. **a)** fix the base to the wall
b) connect the thermostat earth by using the terminal marked with the earth symbol
c) follow the wiring diagram inside the cover; fix the flexible inseparable wires to the relative screw terminals
d) replace the cover, screws and knob.

CONNECTIONS



USER'S GUIDE

1. Set the temperature required by turning the knob;
2. To limit the setting field:
 - a) Isolate the power supply line
 - b) Remove the knob
 - c) Insert the limit markers in the housing under the knob ($17^{\circ}\text{C} \pm 23^{\circ}\text{C}$)
 - d) Return the knob to its housing.



REFERENCE STANDARDS

Conformity with EU directives:

2014/35/UE (LVD)

2014/30/UE (EMCD)

is declared with reference to the following standard:

- **CEI EN 60730-2-9:** Automatic electric command devices for household and similar use.
Part 2: particular provisions for thermosensitive command devices.

RBM spa reserves the right to improve and change the described products and related technical data at any moment and without prior notice: always refer to the instructions attached with the supplied components; this sheet is an aid, should the instructions be extremely schematic. Our technical office is always at your disposal for any doubt, problem or explanation.