

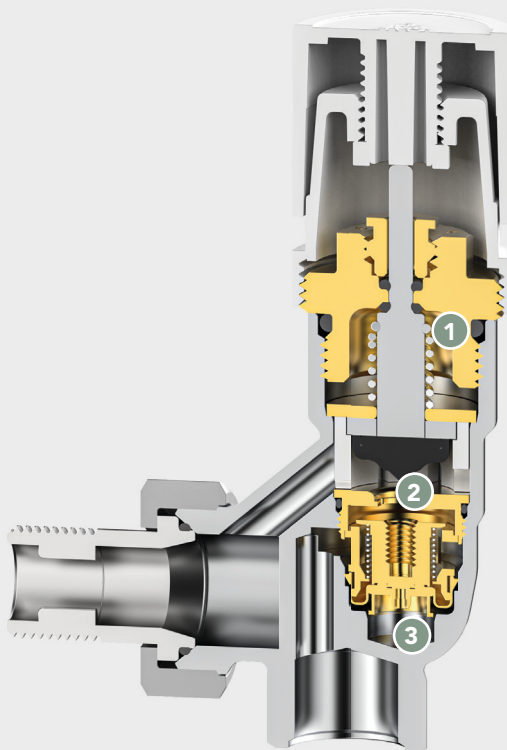
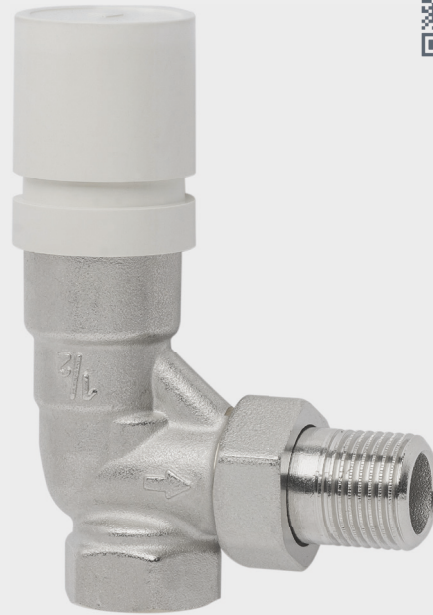
# THERMOSTATIC VALVE WITH PRE-SETTING INDEPENDENT FROM PRESSURE



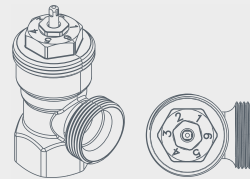
The **thermostatic valve with pre-setting independent** from pressure is a radiator valve that performs the functions of a thermostatic valve and a differential pressure regulator. Designed for temperature control and hydraulic balancing in a single product, it is applied in double-pipe heating systems.

The ring nut for the flow rate pre-setting limits the maximum flow passing through the radiator and thereby ensures quick and effective circuit balancing. The differential pressure regulator – the nerve centre of the valve – resets pressure variations in a heating system, thus ensuring the preset flow rate.

When used in conjunction with the **RBM thermostatic head**, it maintains a constant temperature in the environment, ensuring energy savings.



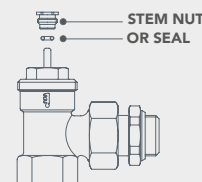
- 1 Micrometric setting**  
KVS values can be set through the pole on the top of the cap unit, simply using the adjustment tool.  
**6 Kvs values for pre-setting!**



- 2 Pole with vulcanized elastomer disc.**  
Elastomer directly vulcanized on the pole disc:
  - Avoids noise
  - Disc does not stick on the valve seat



- 3 Differential pressure regulator (ΔP)**  
Resets pressure variations in systems.



Possibility of maintenance service while system is in operation.