



Rev. 03/2023

## **SERIES 3930**

Reversible ball valve.

# SERIES 3930

Reversible ball valve.



## PRODUCTION RANGE

Code	Size	Couplings
3930.06.00	1"	UNI-EN-ISO 228

## CONSTRUCTION FEATURES

<b>Body:</b>	Nickel-plated brass
<b>Ball:</b>	Chrome-plated brass ball
<b>Seats:</b>	PTFE
<b>O-ring:</b>	Peroxide-cured EPDM
<b>Cap:</b>	Nickel-plated brass
<b>Connections:</b>	UNI-EN-ISO 228
<b>Rod:</b>	Explosion-proof brass
<b>Butterfly:</b>	Black painted aluminium
<b>Bore:</b>	Total

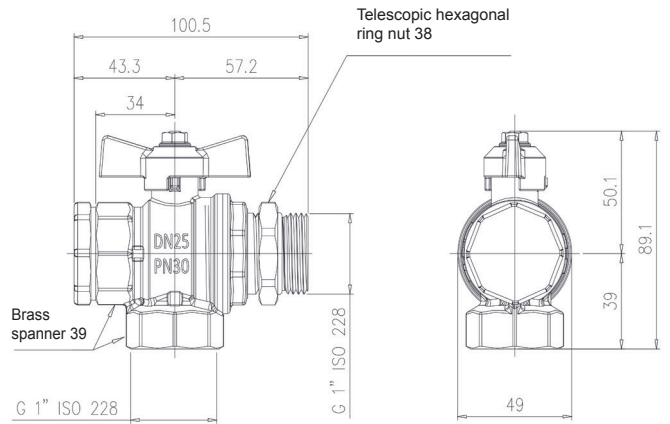
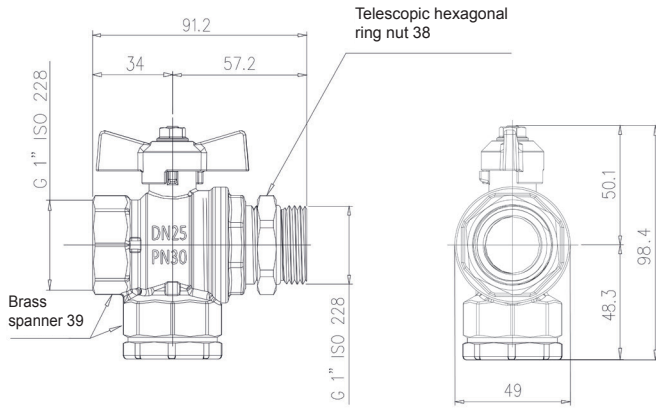
## TECHNICAL FEATURES

<b>Fluids used:</b>	Water Water + glycol
<b>Operating temperature:</b>	20 to + 120 °C
<b>Nominal Pressure:</b>	30 Bar
<b>Bore:</b>	DN 25

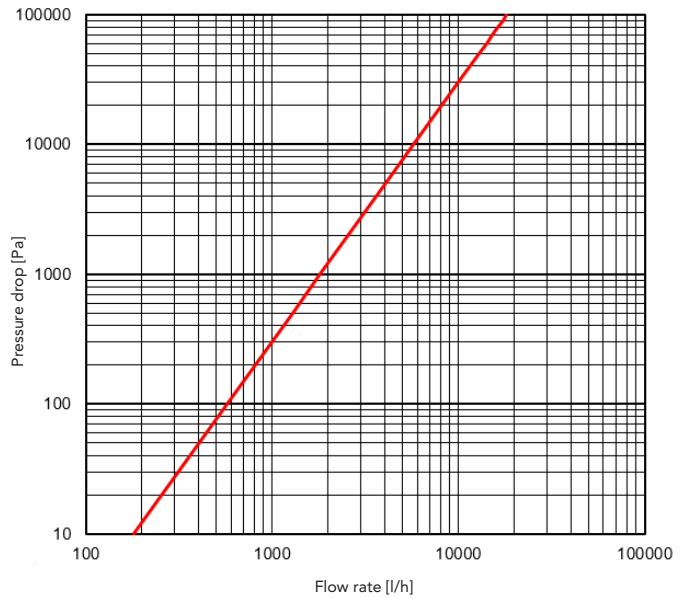
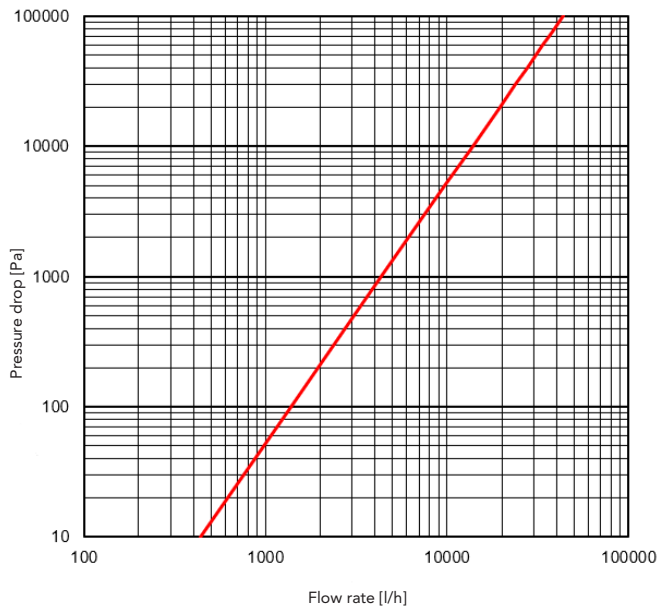
## DIMENSIONAL FEATURES

### STRAIGHT CONFIGURATION

### ANGLE CONFIGURATION



## FLUID DYNAMICS FEATURES

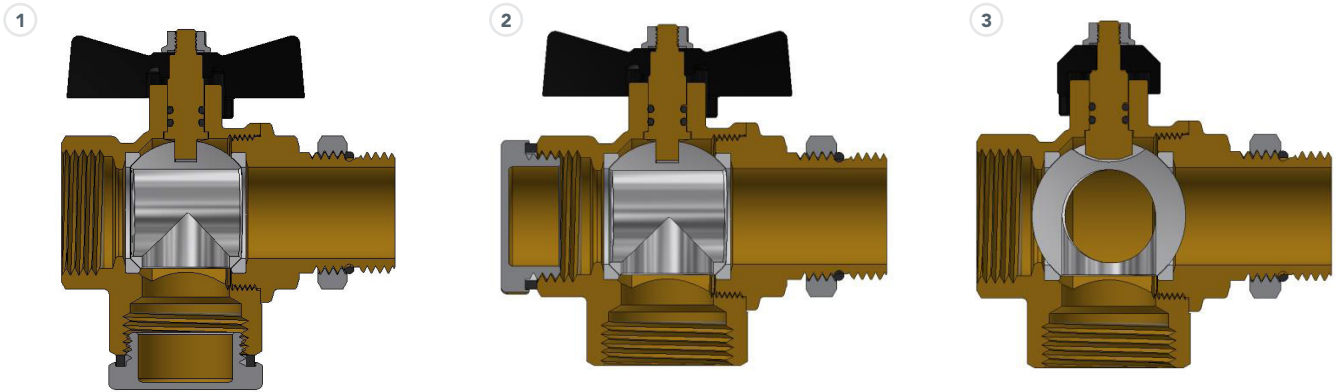


Size	Kv Straight [l/h]	Kv Angle [l/h]
<b>G 1"</b>	43,50	18,20

## DESCRIPTION OF OPERATING PRINCIPLE

Inside the valve there is a ball with T-passages, using the supplied plug it is possible to intercept an outlet obtaining:

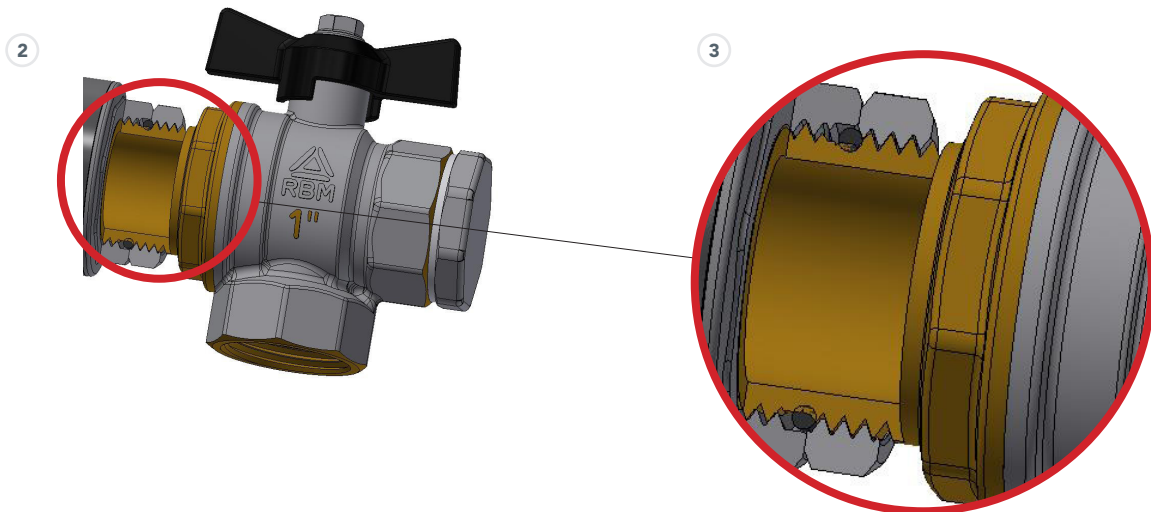
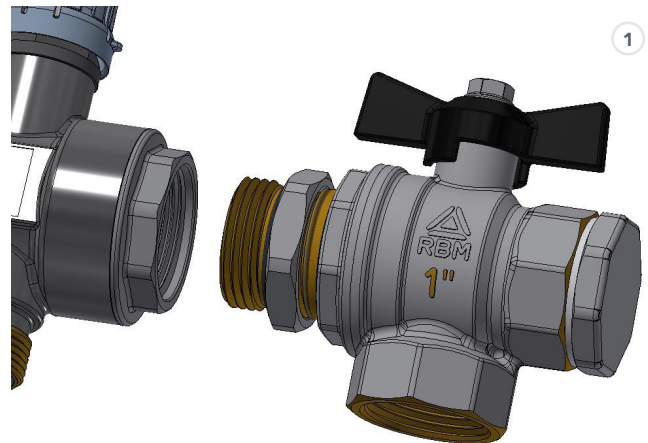
1. Straight ball valve
2. Angle ball valve
3. In both configurations, turning the ball intercepts the supply route to the manifolds.



## INSTALLATION

RBM recommends to :

1. Screw the valve directly onto the manifold (no tangs/spheres/ nozzles).
2. By tightening the nut the mechanical stop can be varied and this allows the valve to be orientated to the desired position, thread timing is not required.
3. The nut presses the O-ring into the seal seat on the manifolds. **quick and agile assembly / guaranteed sealing**



## SPECIFICATIONS

### SERIES 3930

Heavy duty reversible angle ball valve (MF connection) with operation via butterfly handle made of black painted aluminium, series 3930.

Nickel-plated brass body, thick chrome-plated brass ball and PTFE seal, reversible connection.

Sizes available with MF UNI-EN-ISO 228 threaded connections: 1"

Heat-carrying fluid: water - water + glycol

Maximum operating pressure: 30 bar

Operating temperature with water -20°+120°C

*RBM spa reserves the right to improve and change the products described and relevant technical data at any moment and without prior notice. The information and images contained in this document are intended for information purposes only, are not binding and in any case do not exempt the user from strictly following the regulations in force and good practice standards.*

#### RBM Spa

Via S. Giuseppe, 1 • 25075 Nave (Brescia) Italy  
Tel 030 2537211 • Fax 030 2531798 • info@rbm.eu • www.rbm.eu

 @rbmspa  RBM S.p.A.  rbm\_spa\_  Rbm Italia