

MULTIMIX DN32

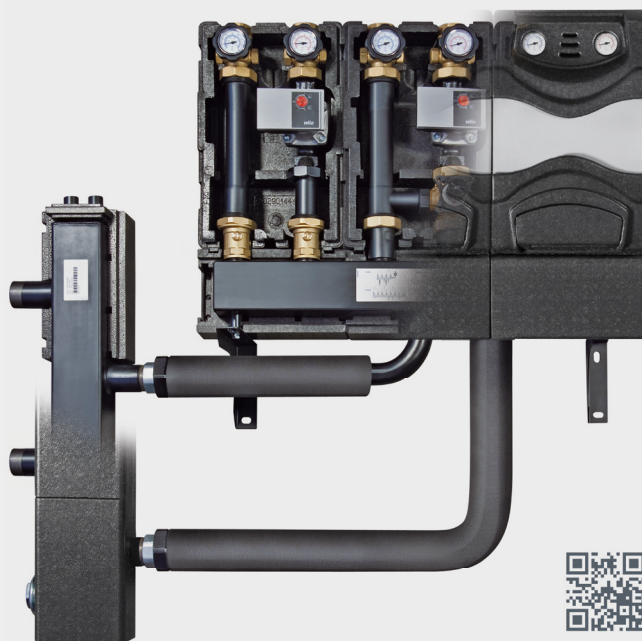
RBM MULTIMIX DN32 is a hydronic system used in the distribution and management of zone system utilities both for winter heating and summer cooling.

It consists of a hydraulic separator and a distribution manifold (from 2 to 5 zones) connected one to another by pre-insulated pipes and relative booster units, available in two versions:

- **RD:** Direct booster unit (without mixing, for zones supplied with water at the same temperature*) as the one produced by the heat generator).
- **RF MIX:** Modulating mixed booster unit (shifting temperature). Can be coupled to different electric rotary actuators, chosen depending on the type of temperature control selected.

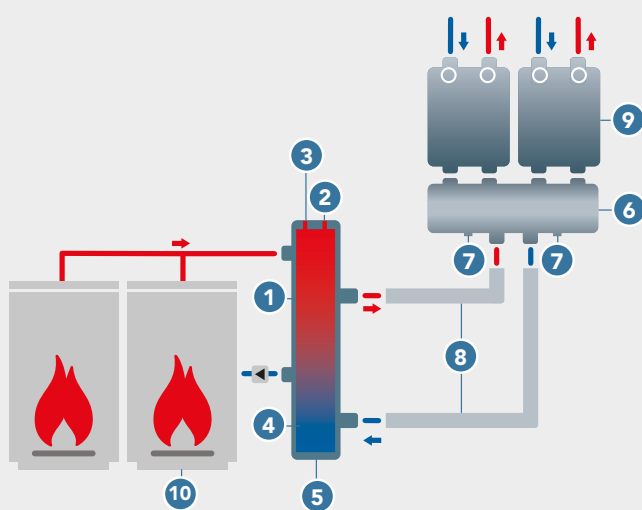
In addition, DN25 booster units designed for metering are available, requiring a specific reducer for connection to the MULTIMIX C32 manifold.

(*) minus the natural "thermal drop" on the hydraulic separator.



<p>Combined and modular distribution system</p> <hr/> <p>Manifold, separator, connection pipes and booster units thermally insulated with EPP 40 g/l shells</p> <hr/> <p>Simplified hydraulic connections and seals ensured by flat stops</p> <hr/> <p>Rationalisation of space in boiler room</p>	<p>+</p> <p>Set up for installation of one or more temperature control units for shifting temperature mixing unit</p> <hr/> <p>Up to 5 thermal zones</p> <hr/> <p>High flow rates</p> <hr/> <p>Possibility of direct metering to divide consumptions (only with DN25 booster unit)</p>
--	--

FUNCTIONAL HYDRAULIC DIAGRAM MULTIMIX DN32 UNIT



- 1 Hydraulic separator MULTIMIX S32 code 3219.07.02
- 2 Connection for air vent
- 3 Connection for temperature probe holder
- 4 System load-drain / sludge discharge
- 5 Connection for support foot (foot not supplied)
- 6 MULTIMIX C32 zone manifold (2-3-4-5 utilities)
- 7 Wall manifold support connection
- 8 Connection piping kit code 3222.07.X2
- 9 Direct booster unit RD32 code 3228.07.02 / mixed RM MIX32 code 3229.07.02
- 10 Heat generator