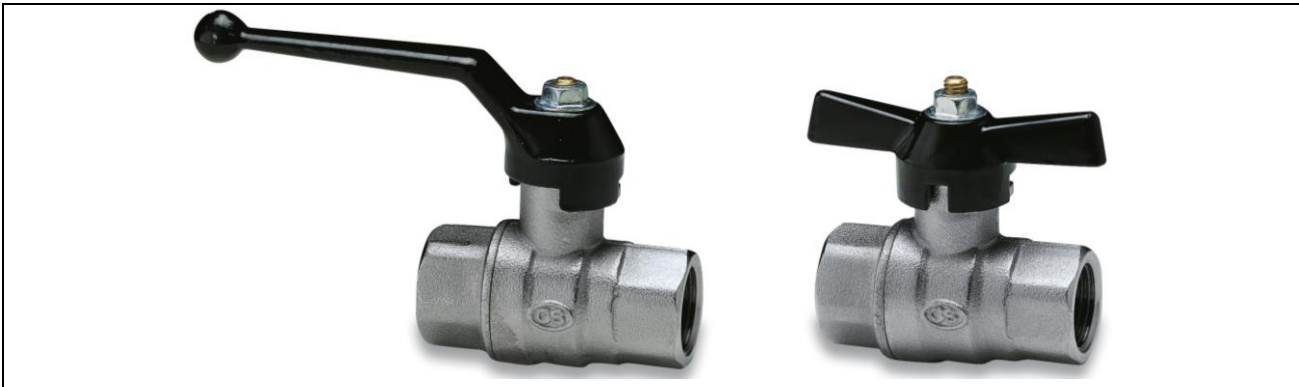




FF BALL VALVE FOR WATER TOTAL PASSAGE - SERIES ARNO®

CT3371.0_03
EN
October 2016



PRODUCTION RANGE

LEVER ADJUSTMENT

Code	3371 14NI	3371 38NI	3371 12NI	3371 34NI	3371 10NI	3371 04NI	3371 02NI	3371 20NI	3371 22NI	3371 30NI	3371 40NI
Size	1/4"	3/8"	1/2"	3/4"	1"	1 1/4"	1 1/2"	2"	2 1/2"	3"	4"
PN [bar]	40						25			10	

BUTTERFLY ADJUSTMENT

Code	3372 14NI	3372 38NI	3372 12NI	3372 34NI	3372 10NI	3372 04NI
Size	1/4"	3/8"	1/2"	3/4"	1"	1 1/4"
PN [bar]	40					

CONSTRUCTION FEATURES

Body: Nickel-plated brass
 Ball: Chrome plated brass
 Seats: PTFE
 Threaded connections: FF UNI-EN-ISO 228

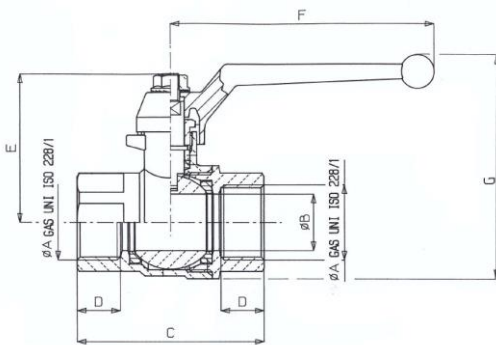
Lever or butterfly: Black painted aluminium
 Passage: Total - Heavy Series

TECHNICAL FEATURES

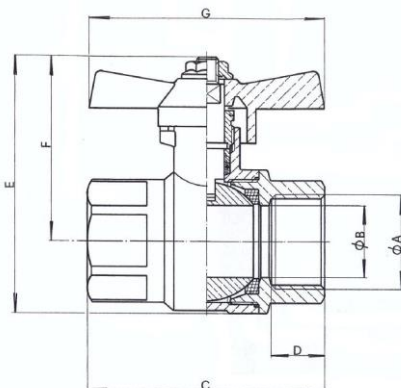
Temp. of use: -20 ÷ +120°C
 P_{max} use: refer to that stated in the table

Fluid of use: Water, water + glycol, steam and hydrocarbons

DIMENSIONAL FEATURES

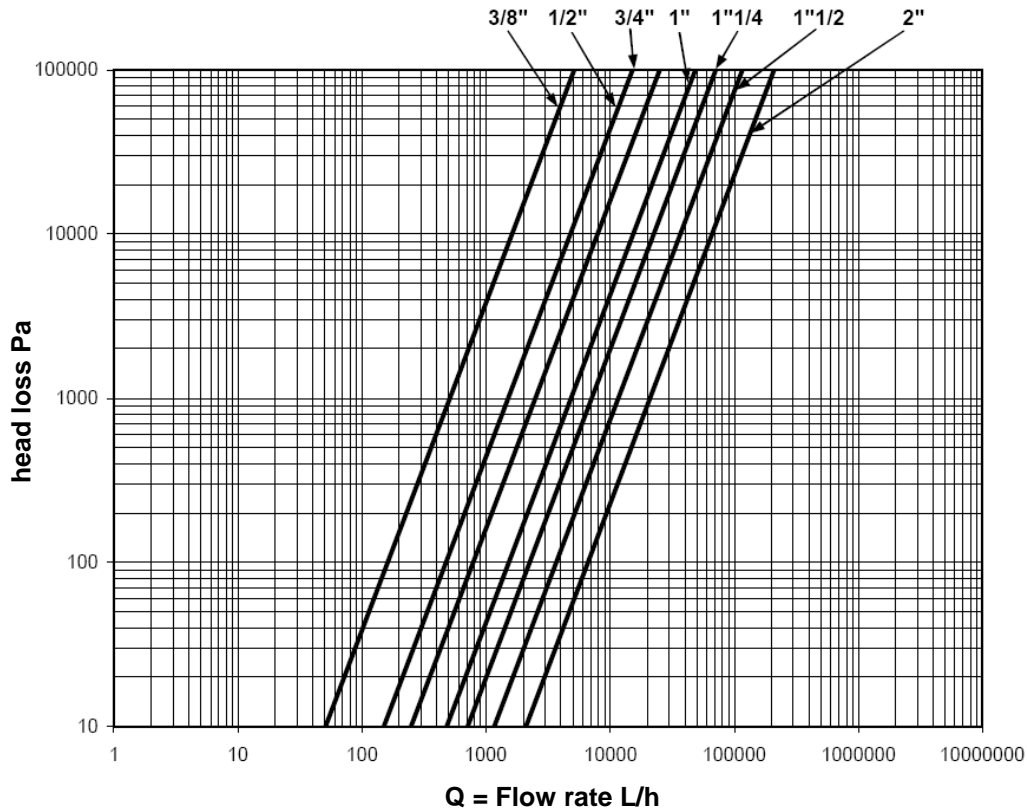


Code	Ø A	Ø B	C [mm]	D [mm]	E [mm]	F [mm]	G [mm]
3371 14NI	1/4"	8	47	11	48	75	67.5
3371 38NI	3/8"	10	50.5	12	49.5	92	71.5
3371 12NI	1/2"	15	63.5	15	52	92	77.5
3371 34NI	3/4"	20	71	16.3	63	117	93
3371 10NI	1"	25	83	19.1	66	117	100.5
3371 04NI	1 1/4"	32	96.5	21.4	71.5	154.5	117.5
3371 02NI	1 1/2"	40	106.5	21.4	77	154.5	129
3371 20NI	2"	50	128	25.7	92.5	185	156
3371 22NI	2 1/2"	65	154	31.5	114.5	229	187
3371 30NI	3"	80	180	34.5	141	256	227.5
3371 40NI	4"	94	178	29.5	150	229	226



Code	Ø A	Ø B	C [mm]	D [mm]	E [mm]	F [mm]	G [mm]
3372 14NI	1/4"	8	47	11	59.5	48	52
3372 38NI	3/8"	10	50.5	12	62.5	49.5	52
3372 12NI	1/2"	15	63.5	15	67.5	51	74
3372 34NI	3/4"	20	71	16.3	82	61	82
3372 10NI	1"	25	83	19.1	89.5	64.5	82
3372 04NI	1 1/4"	32	96.5	21.4	102.5	72	82

FLUID DYNAMICS FEATURES



Size	Kv (m ³ /h)
1/4"	-
3/8"	5.11
1/2"	15.07
3/4"	25.00
1"	48.33
1"1/4	71.10
1"1/2	116.28
2"	210.00
2"1/2	-
3"	-
4"	-

VALVE INSTALLATION

- a) We recommend installing the valve using suitable tools only;
- b) We recommend installing and tightening the valve using only the sleeve that is in contact with the pipe thread.

SAFETY REGULATIONS AND FIELD OF APPLICATION

- a) Before every installation, check the maximum pressure limit stated on the valve body, referring to the operating temperature at 20 °C. Example: PN 40, max. pressure 40 bar for water, hazardous and non-hazardous fluids;
- b) The fluid passing through the valve must not contain suspended solids, soiling and/or abrasive substances, that are not compatible with copper and alloys;
- c) No maintenance is required on the valve;
- d) Position the valve shutter (ball) only in closing or in opening. We recommend partial opening or closing;
- e) With the use of water and/or liquids in general, the operating temperature must not drop below their freezing point.



RBM spa reserves the right to improve and change the described products and related technical data at any moment and without prior notice: always refer to the instructions attached with the supplied components; this sheet is an aid, should the instructions be extremely schematic. Our technical department is always at your disposal for any doubt, problem or clarification.



RBM Spa
Via S. Giuseppe, 1
25075 Nave (Brescia) Italy
Tel. 030-2537211 Fax 030-2531798
E-mail: info@rbm.eu - www.rbm.eu